

N^o 27,160



A.D. 1907

Date of Application, 9th Dec., 1907—Accepted, 6th Aug., 1908

COMPLETE SPECIFICATION.

“Improvements in and relating to Talking Machines”

I, FRIEDRICH ADOLF RICHTER, trading as F. Ad. Richter and Company, of Rudolstadt, Germany; Pharmaceutical Manufacturer; do hereby declare the nature of this invention and in what manner the same is to be performed, to be particularly described and ascertained in and by the following statement:—

5 This invention relates to talking machines designed especially for shipping and like purposes and of the self contained type wherein the driving mechanism, reproducer and horn or trumpet are arranged within one and the same casing, the record, reproducer and sound arm being in one compartment and the trumpet and driving mechanism in the other. Further it is known that trumpets
10 have been bent in a vertical plane so as to partly encircle the driving mechanism and claim is not made in the present invention to any such arrangement *per se*. According to the present invention, the casing is divided into two parts, the upper containing the reproducer and arm and the lower the driving mechanism and flared horn or trumpet which for the purpose of the present invention, *viz.* to
15 ensure compactness is bent upon itself in an horizontal plane so as to allow the driving mechanism to be partly encircled by such bent horn or trumpet.

In order that the said invention may be readily understood reference is to be had to the accompanying sheets of drawings in which

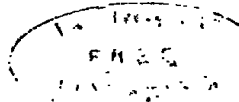
Figure 1 is a plan view of the improved talking machine;
20 Figure 2 is a perspective view with parts removed; and
Figure 3 is a front perspective view thereof, with side removed.

Like letters of reference indicate corresponding parts in the several views. A is a casing provided with a cover or lid B, and having its one side C hinged or slidably fixed so as to be capable of being swung or slid to leave the front
25 of the casing open. This casing is divided into an upper compartment D, and a lower compartment E by means of a partition F secured in the casing in any convenient manner.

G is an amplifying sound conduit of wood or other suitable material having an open, flaring end G.¹ adjacent to the movable side C. This sound conduit G
30 is located in the lower compartment E, and has its smaller end G.² adjacent to one of the sides of the casing thereby effectually closing said end. In the upper surface of said conduit near its closed end an aperture H is provided into which fits a collar H.¹ which projects through a suitable opening in the partition F. This collar H.¹ is arranged to receive one end of the usual sound conveying
35 tube I in such a manner as to leave said tube free to swing in an horizontal plane. The other end of said tube carries the customary reproducer J, having the stylus J.¹ to engage with the record. The record is carried by the revolving disc K, secured to a central positioning pin K.¹. This disc K is located, together with the sound conveying tube I and the reproducer J and its co-operating
40 parts, in the upper compartment D. The pin or shaft K.¹ extends through the partition F into the lower compartment E, and is connected by suitable gearing with the driving mechanism L of any description, such for instance clock-work. This driving mechanism is also secured in the lower compartment E and is controlled by a starting and stopping lever M.

45 The flaring end G.¹ of the amplifying conduit G may be secured to the side C and closed by a suitable door, in which case the side C may be stationary instead of movable.

[Price 8d.]



Richter's Improvements in and relating to Talking Machines.

In a preferable form of the device, as shown in the accompanying drawings the sound conduit is bent and the driving mechanism extends into the bend of said conduit. In operation the sound is conveyed from the reproducer, through the tube I, into the conduit G, thence to the outer air. The improved talking machine thus has all its component parts contained in a case and is arranged in a compact fashion, and does away with the necessity of carrying or shipping the usual amplifying horn as the conduit G takes the place of this usual horn. The device is consequently easily carried about and shipped and the liability of parts being mislaid is entirely avoided. 5

Having now particularly described and ascertained the nature of my said invention and in what manner the same is to be performed, I declare that what I claim is:— 10

In self contained talking machines consisting of a case divided into two compartments having a reproducer, record holder and sound arm located in the upper compartment and an amplifying sound conduit or trumpet and driving mechanism located in the lower compartment so bending the sound conduit or trumpet upon itself in an horizontal plane as to partly encircle the driving mechanism substantially as and for the purpose set forth and illustrated. 15

Dated this 5th. day of December, 1907.

T. B. BROWNE, LIMITED, 20
Agents for the Applicant,
163, Queen Victoria Street, London, E.C.

The Common Seal of T. B. Browne Limited
was affixed hereto in the presence of

JAMES WANN, Director. 25
E. GRIFFIN, Secretary.

SHEET 1.

Fig. 1.

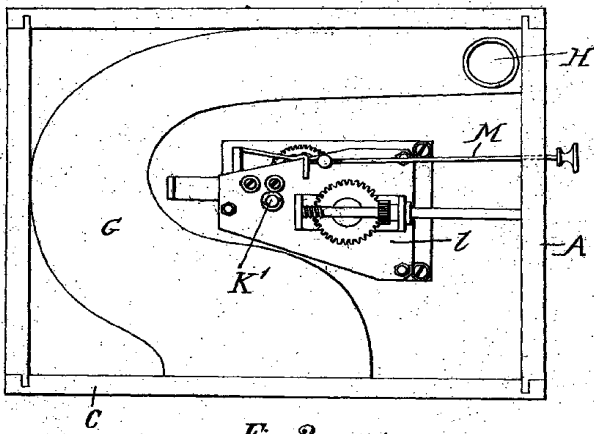
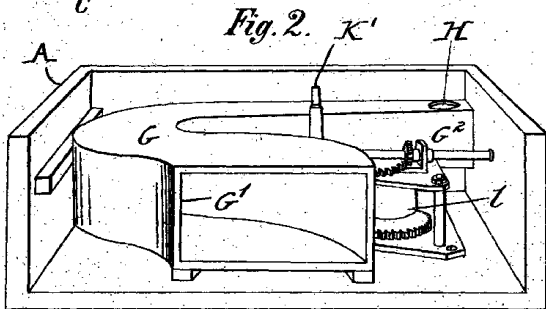


Fig. 2.



[This Drawing is a reproduction of the Original on reduced scale]

SHEET 2.

Fig. 3.

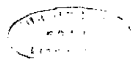
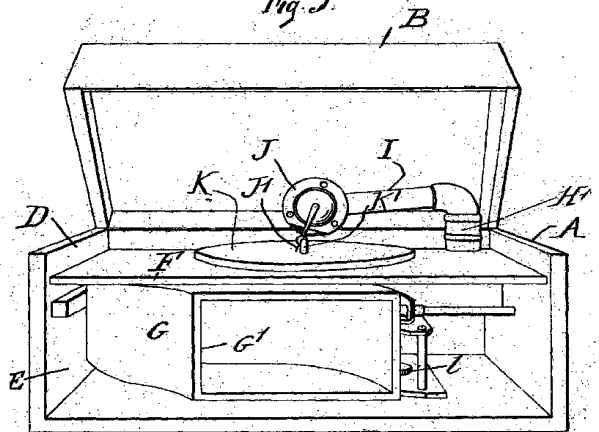


Fig. 1.

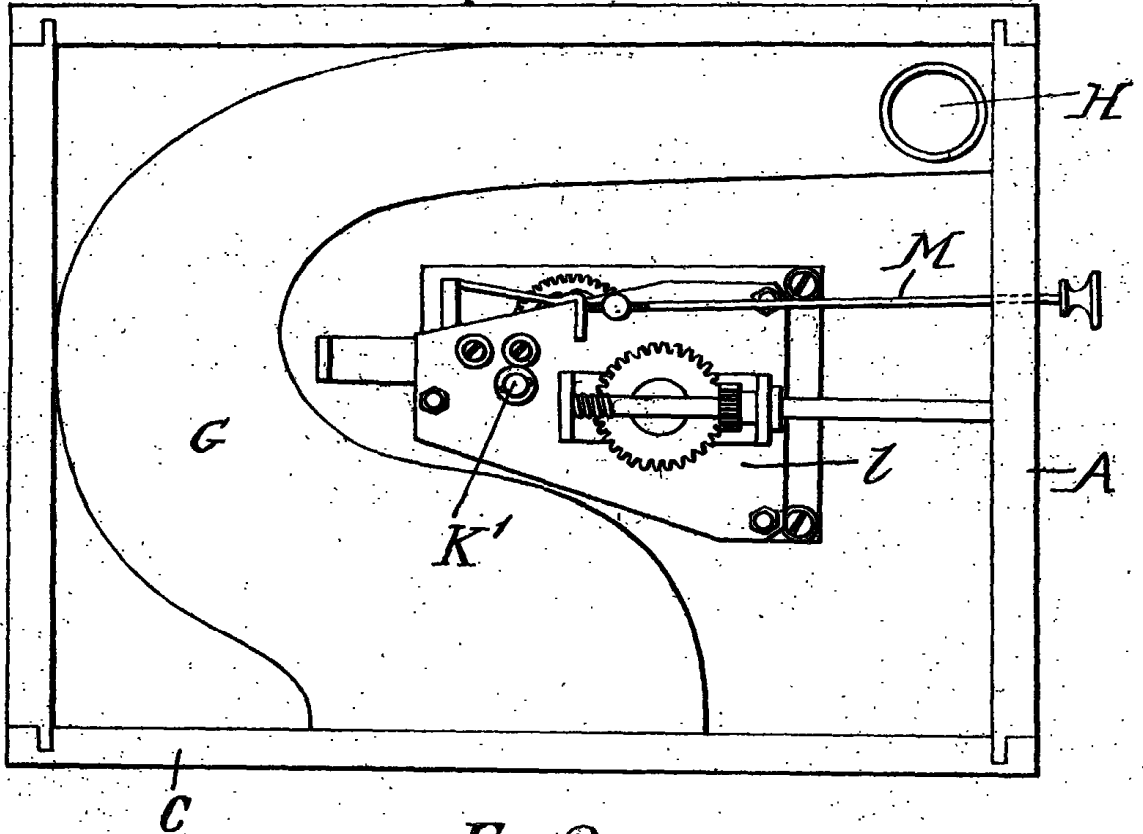
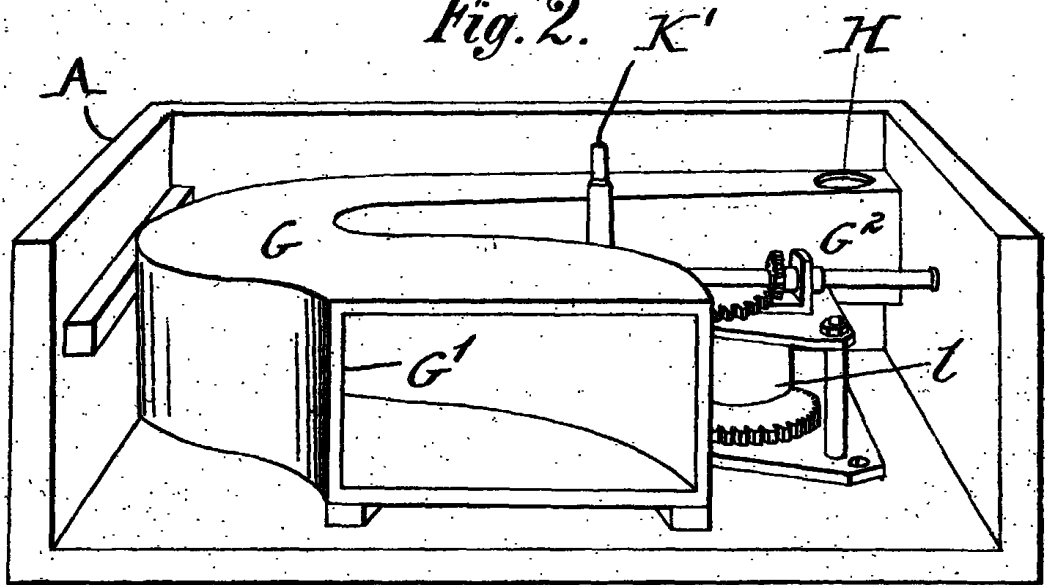


Fig. 2.



[This Drawing is a reproduction of the Original on a reduced scale.]

Fig. 3.

